

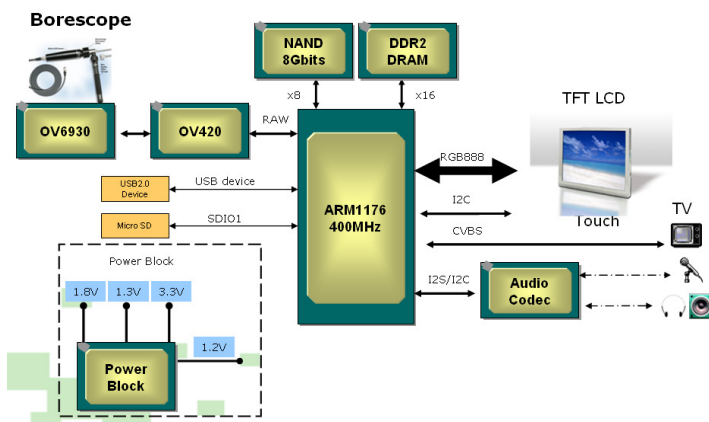
New generation videoscope platform

----- small and high quality image sensor with no fiber

Overview

Portalinks videoscope platform is ideal for the manufacturers who will make a new generation videoscope for industrial and medical inspection. This platform employs a high performance ARM1176 based multimedia SoC and Linux OS to provide a flexible and graphical operating User Interface and 720p MPEG4 encode and decode capability. By incorporating with the cutting-edge Omni-Vision's technology, the 1.8mmx1.8mm ultra-small OV6930 sensor makes this platform very suitable for a high resolution and ultra-fine probe borescope system. The build-in Li-polymer battery pack can provide 3hrs operation. Separated monitor and probe design is well-suited to support different applications and environment by various type probe.

Blockdiagram



System information

- CPU: GPL32902A ARM1176 @ 400MHz with DSP
- RAM: 128Mbytes DDR2 DRAM
- Booting from eMMC or microSD
- Expandable memory with microSD slot, SDHC up to 32GB
- Sensor: OV6930 1.8mmx 1.8mm sensor
- Bright and high resolution 3.2" LPTS LCD, 480xRGBx320
- 1500mAh 3.7volts Li-polymer battery pack
- USB port for PC link and battery charging
- Fast boot in 8sec
- LCD and TV display simultaneously
- On machine operation: Zoom, Playback, Rotate etc.
- Various multimedia formats support and up to 720P encode and decode